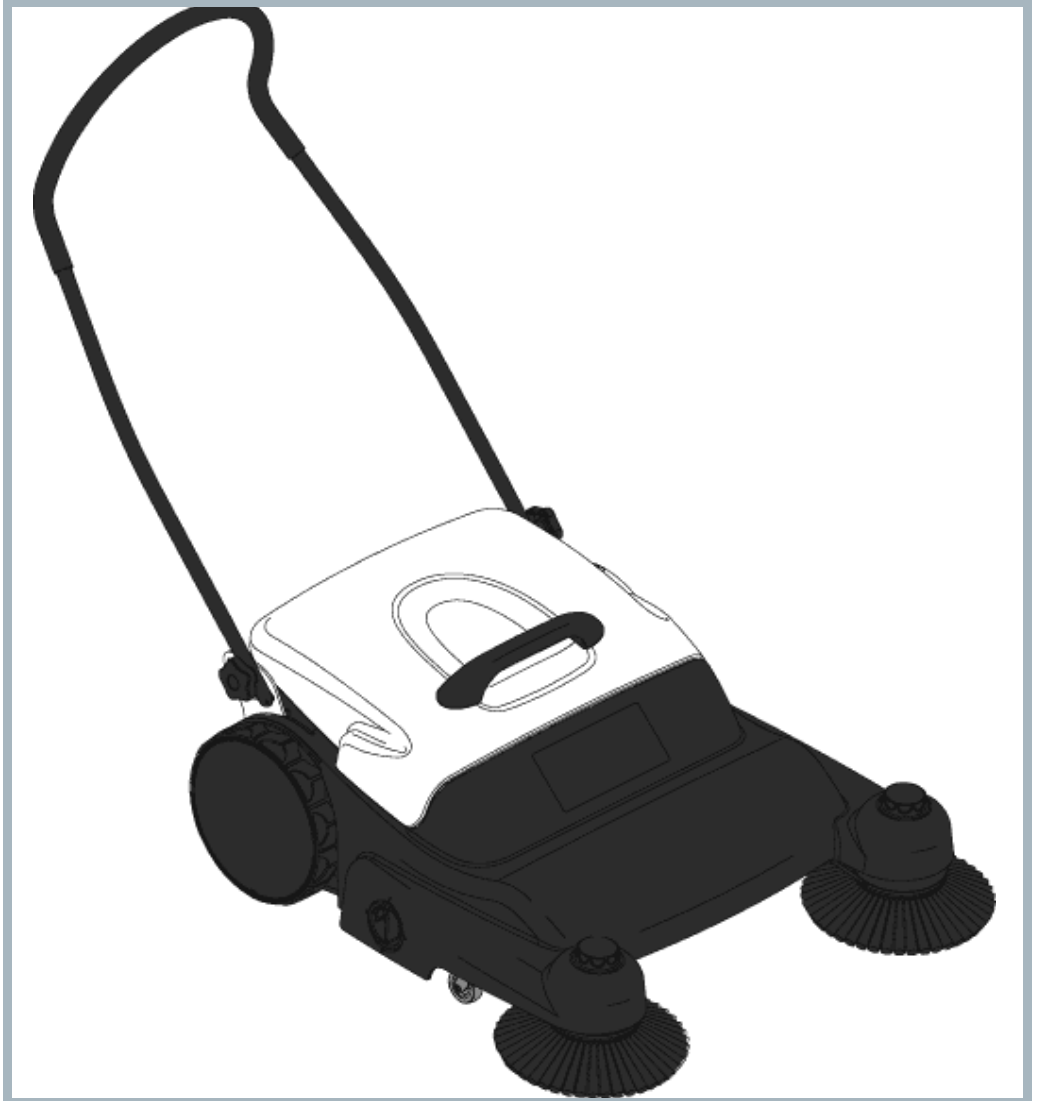


FLOORTEC 480M

Model:
FLOORTEC 480 M
FLOORTEC 480 M ALTO



Part List US-English

08-04-2011

Table of Contents

FLOORTEC 480M

Chassis system	3
Recommended spare parts	5

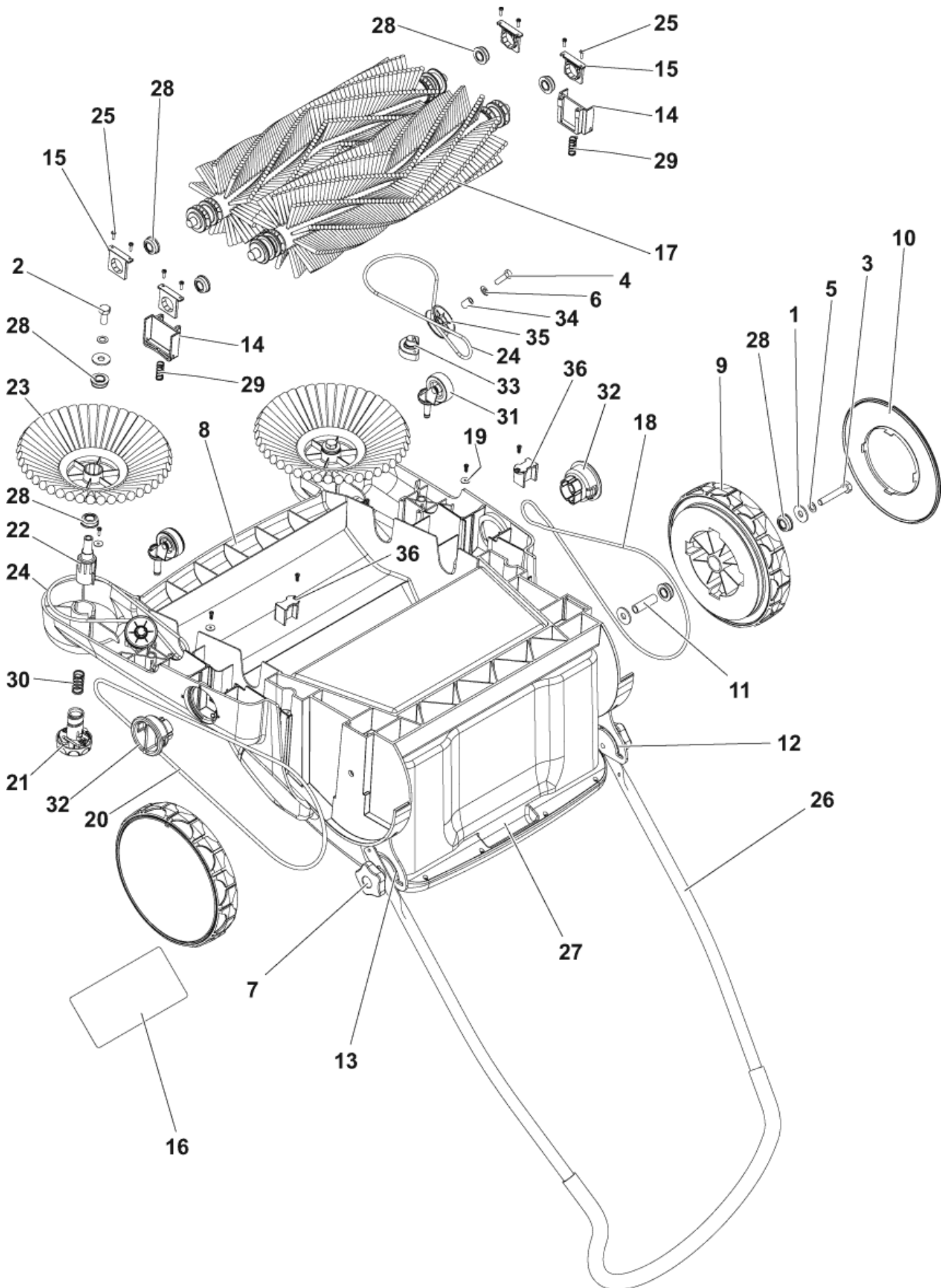
Chassis system

FLOORTEC 480M

08-04-2011

Part List ID
F480M0010

3



Chassis system

FLOORTEC 480M

08-04-2011

Part List ID
F480M0010

4

Pos	Part no.	Qty	Description	EAN
7	146 1852 000	2	KNOB M8	5711140041
8	1463601000	1	FRAM	5703887110
9	1463604000	2	DRIVE WHEEL	5703887110
10	1463605000	2	COVER WHEEL	5703887110
12	1463607000	1	LEFT HANDLE STRAP SUPPORT	5703887110
13	1463608000	1	RIGHT HANDLE STRAP SUPPORT	5703887110
14	1463611000	2	MOVABLE SUPPORT	5703887110
15	1463612000	4	BEARING SUPPLORT	5703887110
16	1463652000	1	DECAL NIL ALTO FLOORTEC 480M	5703887110
			FOR FLOORTEC Nilfisk-ALTO VERSION	
17	1464319000	2	CENTRAL BROOM ASSY	5703887110
18	1463615000	1	TRACTION SHORT BELT	5703887110
20	1463617000	1	TRACTION LONG BELT	5703887110
21	1463618000	2	HANDLE ASSY	5703887110
22	1463621000	2	ADJUSTABLE BRUSH SUPPORT	5703887110
23	1463623000	2	SIDE BROOM	5703887110
24	1463624000	2	SIDE BROOM BELT	5703887110
26	1463626000	1	HANDLE	5703887110
27	1464199000	1	WASTE CONTAINER ASSY-BLUE	5703887110
28	1463633000	12	BEARING	5703887110
29	1463635000	2	SPRING	5703887110
30	1463636000	2	SPRING	5703887110
31	1463637000	2	CASTER WHEEL	5703887110
32	1463640000	2	BROOM ADJUSTMENT HANDLE	5703887110
33	1463641000	2	SUPPORT PULLEY	5703887110
35	1463643000	2	PULLEY	5703887110
36	1463644000	2	REINFORCING BLOCK	5703887110
37	1464357000	1	HARDWARE KIT	5703887110
			INCLUDES POS.:1,2,3,4,5,6,11,19,25,34	

POSITIONS 1,2,3,4,5,6,11,19,25,34 NOT AVAILABLE AS SINGLE PARTS-INCLUDED IN THE HARDWARE KIT 1464357000

Recommended spare parts

FLOORTEC 480M

08-04-2011

Part List ID
F480M0030

5

No Drawing For Part List

Recommended spare parts

FLOORTEC 480M

08-04-2011

Part List ID
F480M0030

6

Pos	Part no.	Qty	Description		EAN
1	1464319000	2	CENTRAL BROOM ASSY	WEAR PART	5703887110
2	1463623000	2	SIDE BROOM	WEAR PART	5703887110
3	1463615000	1	TRACTION SHORT BELT	ORDINARY MAINTENANCE	5703887110
4	1463617000	1	TRACTION LONG BELT	ORDINARY MAINTENANCE	5703887110
5	1463624000	2	SIDE BROOM BELT	ORDINARY MAINTENANCE	5703887110
6	1463633000	12	BEARING	ORDINARY MAINTENANCE	5703887110
7	1463637000	2	CASTER WHEEL	ORDINARY MAINTENANCE	5703887110